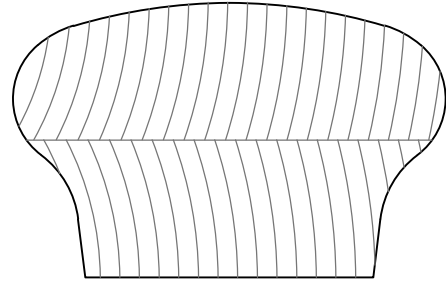
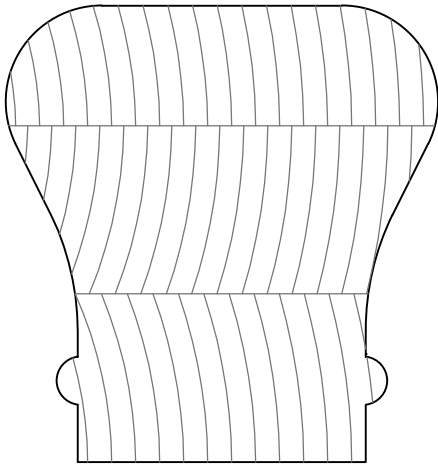


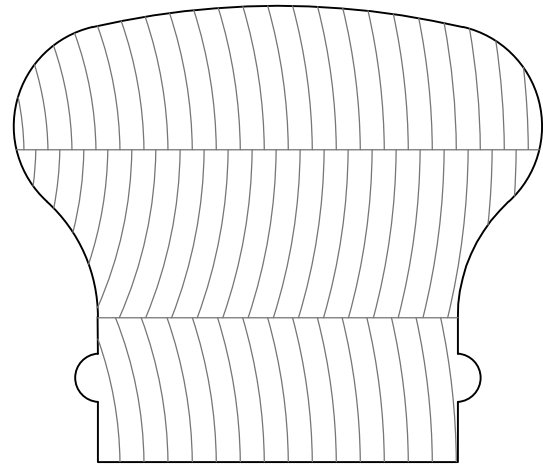
1043
 $2\frac{5}{8}'' \times 1\frac{3}{4}''$



6042
 $1\frac{1}{2}'' \times 2\frac{1}{4}''$



6010
 $2\frac{3}{8}'' \times 2\frac{1}{4}''$



6210
 $2\frac{3}{4}'' \times 2\frac{3}{8}''$



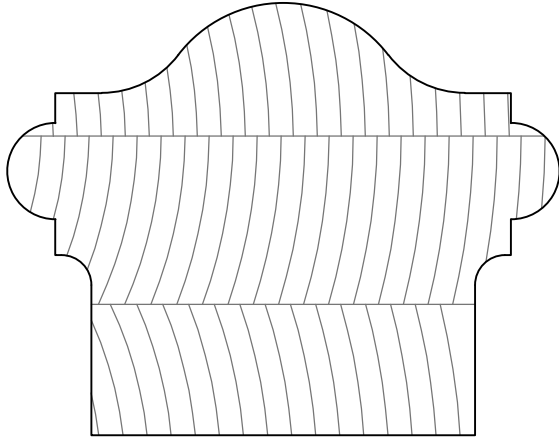
RAILS

SCALE:

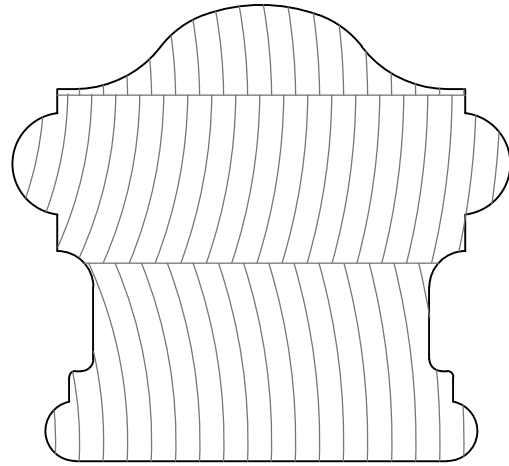
FULL

PAGE:

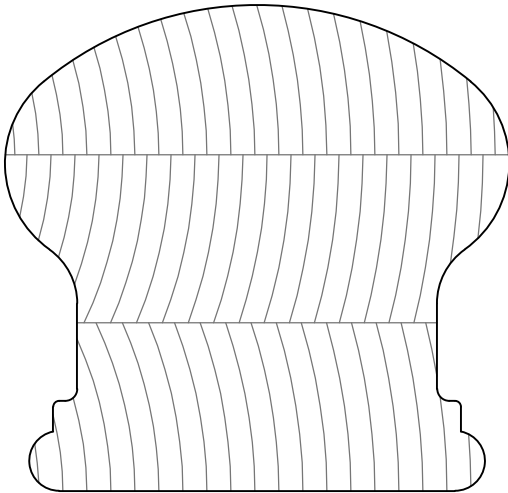
1 OF 2



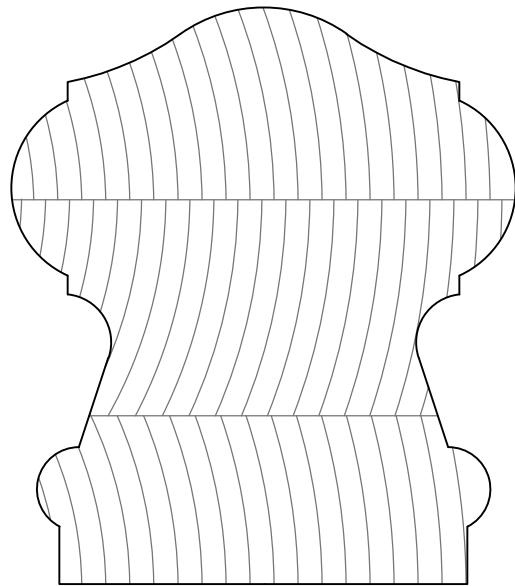
1520
 $2\frac{1}{4}'' \times 2\frac{7}{8}''$



1520 MOD
 $2\frac{5}{8}'' \times 2\frac{3}{8}''$



1003
 $2\frac{5}{8}'' \times 2\frac{1}{2}''$



8300
 $2\frac{5}{8}'' \times 3''$



RAILS

SCALE:

FULL

PAGE:

2 OF 2